

niftylift

HR17 4x4



(A) 17.2m
56ft 6in



(B) 15.2m
50ft



(C) 9.4m
31ft



225kg
500lbs



1.8m x 0.85m
5ft 11in x 2ft 9in



150°



180°



(D) 2.1m
6ft 11in



(F) 2m
6ft 7in



(H) 4.8m
15ft 9in



(J) 6.35m
20ft 10in



6km/h
3.7mph



3.7m
12ft 2in



45%
24°



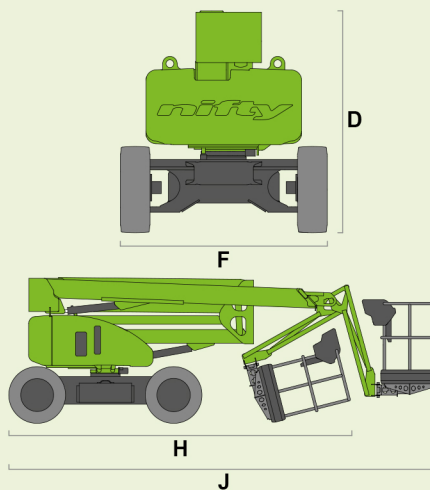
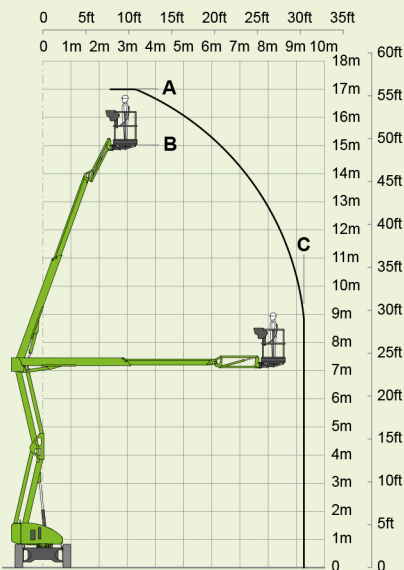
5000kg
11020lbs



Hybrid²



Niftylink[®]



SiOPS[®] Niftylink[®]
toughcage Gen² Hybrid

EWP technical
solutions limited.

'FOR EVERYTHING EWP'



SALES - PARTS - SERVICE - TRAINING - CERTIFICATION

www.ewptechnical.co.nz

0800 EWP FIX

sales@ewptechnical.co.nz