

SJ85 AJ

ARTICULATING BOOM



KEY FEATURES

- EASYDRIVE™ Direction sensing drive and steer controls
- SPEEDYREACH™ Negative boom angle capability
- SKYRISER™ True vertical rise
- AXLDRIVE™ Axle-based 4WD system
- Operator controlled locking rear differential and limited slip front differential
- Oscillating steer axle
- Drivable at full height
- 45% Gradeability
- Wet disc SAHR brakes (front and rear axle)
- Relay based control system with SKYCODED™ colour coded numbered wiring
- Deutz D2011L04i diesel engine
- ECOSTART anti-engine idle
- Swing out engine tray
- Swing up cowlings for easy access
- Lockable power disconnect switch
- 7.5 kW Generator (includes hydraulic oil cooler)
- Flashing light
- Proportional controls
- 227/340 kg Dual capacity
- 0.91 x 2.44 m Platform
- Bolt-in platform railing system
- Lanyard attachment points
- Tri-entry sliding mid-rails
- Secondary Guarding Electrical (SGE)
- Overload sensing system
- Wiring for AC outlet to platform
- Tilt alarm (5.0° x 5.0°) with drive and lift cut-out
- Single point emergency lowering
- Hourmeter
- Operator horn
- White noise motion alarm
- 360° Continuous turret rotation
- Tie down/lifting lugs
- 18 x 625 Grip lug foam-filled non-marking tyres

OPTIONS

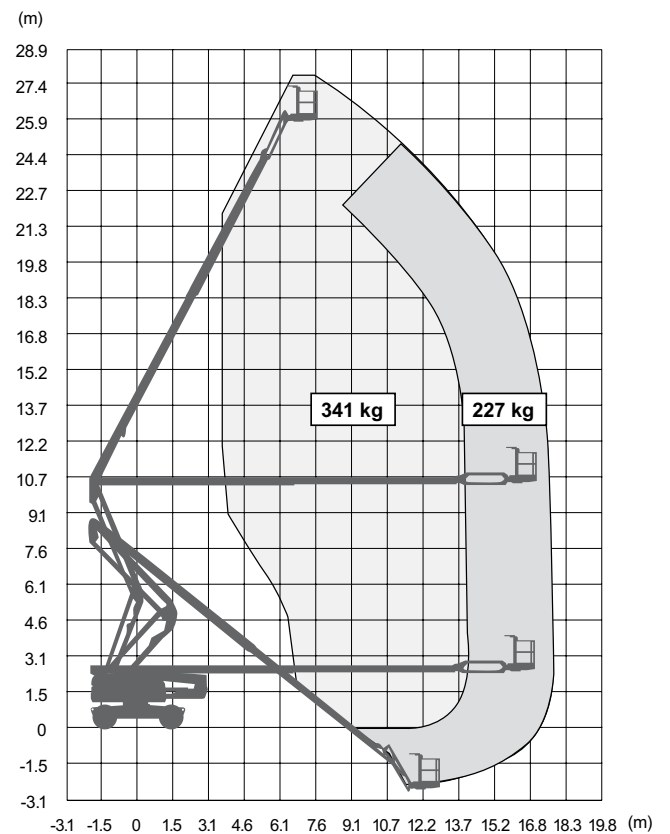
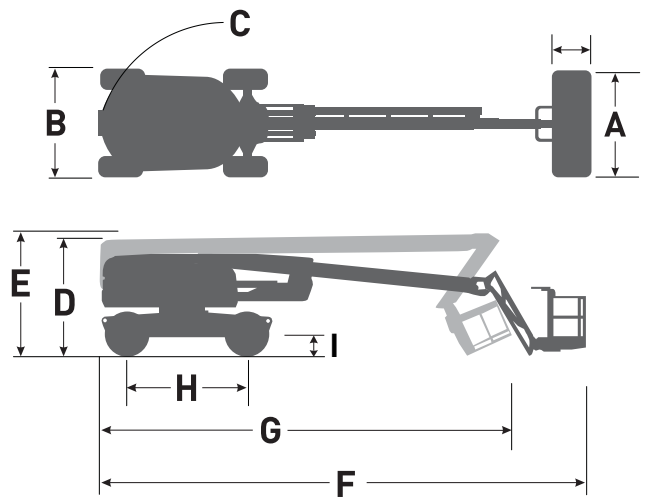
- Pipe rack
- Tool caddy
- 0.91 x 1.83 m Platform
- Rear spring hinged entry gate
- Half-height mesh platform (either size)
- Auxiliary top rail (0.91 x 2.44 m platform only)
- Diesel scrubber
- Bio oil
- Hostile environment package (includes cylinder bellows, boom wipers, covers for the fly boom cutouts, and control box cover)
- Control box cover
- ELEVATE telematics

† Standard lead times may be increased when optional equipment is added, consult factory.
‡ Capacities and machine weights may differ when options are added.

SJ85 AJ ARTICULATING BOOM

Dimensions	SJ85 AJ
Work Height	27.91 m
Platform Height	25.91 m
Horizontal Reach	17.07 m
Up and Over Height	10.36 m
A Platform Size	0.91 x 2.44 m
B Stowed Width	2.49 m
C Tailswing	0.86 m
D Stowed Height	2.67 m
E Transportation Height	2.67 m
F Stowed Length	11.63 m
G Transportation Length	10.03 m
H Wheelbase	2.84 m
I Ground Clearance	0.34 m

Specifications	SJ85 AJ
Rotation	360° Continuous
Platform Rotation	170°
Jib Length	1.68 m
Jib Range +/-	+65°/-60°
Weight	16,465 kg
Gradeability	45%
Turning Radius (Inside)	3.05 m
Turning Radius (Outside)	6.22 m
Axle Oscillation	10.16 cm
Drive Speed (High Speed)	4.8 km/h
Capacity	227 / 340 kg
Local Floor Load (With Rated Load)	12.01 kg/sq cm
Overall Floor Load (With Rated Load)	1,733 kg/sq m
Maximum Wind Rating	12.5 m/s
Personnel Rating at Max Wind Rating	2 / 3
Tyre Type	Foam-Filled, NM
Tyre Size	18-625
Diesel Engine	Deutz D2011L04i - 65 HP (48 KW)
Fuel Tank Capacity	115 L
Hydraulic Reservoir	170 L



Skyjack Australia Pty Ltd
 Unit 1, 35 Honeycomb Drive
 Eastern Creek
 NSW 2766
 Australia
 Phone +61 (0) 2 9854 0700
 Fax +61 (0) 2 9854 0777
 Email: jcranmer@skyjack.com

www.skyjack.com

SKYJACK
 simply reliable

This brochure is for illustrative purpose only and based on the latest information at the time of printing. Skyjack Inc. reserves the right to make changes at any time, without notice, to specifications, standard and optional equipment. Consult the Operating Maintenance and Parts Manuals for proper procedures. AS marked platforms are in conformance to Standard AS/NZS 1418.10:2011.