



SJ66 T+ TELESCOPIC BOOMS

STANDARD FEATURES

- EASYDRIVE™ Direction sensing drive and steer controls
- AXLDRIIVE™ Axle-based 4WD system
- Operator controlled locking rear differential and limited slip front differential
- Oscillating steer axle
- Drivable at full height
- 50% Gradeability
- Wet disc SAHR brakes (front and rear axle)
- Dual module control system with SKYCODED™ colour coded and numbered wiring
- Deutz D2011L04i diesel engine
- ECOSTART anti-engine idle
- Swing out engine tray
- Swing up cowlings for easy access
- Lockable power disconnect switch
- 7.5 kW Generator (includes hydraulic oil cooler)
- Flashing light
- Proportional controls
- 300 / 454 kg Dual capacity
- 0.91 x 2.44 m Platform
- Bolt-in platform railing system
- Lanyard attachment points
- Tri-entry sliding mid rails
- Secondary Guarding Electrical (SGE)
- Overload sensing system
- Wiring for AC outlet on platform
- Tilt alarm (5.0° x 5.0°) with drive and lift cut-out
- Single point emergency lowering
- Hourmeter
- Operator horn
- All motion audible alarm
- 360° Continuous turret rotation
- Tie down / lifting lugs
- 385/65D19.5 Grip lug foam-filled non-marking tyres

OPTIONS

- Glazier kit
- Pipe rack
- Tool caddy
- 0.91 x 1.83 m Platform
- Rear spring hinged entry gate
- Half height mesh platform (either size)
- Auxiliary top rail (0.91 x 2.44 m platform only)
- Diesel scrubber
- Bio oil
- Control box cover
- ELEVATE telematics

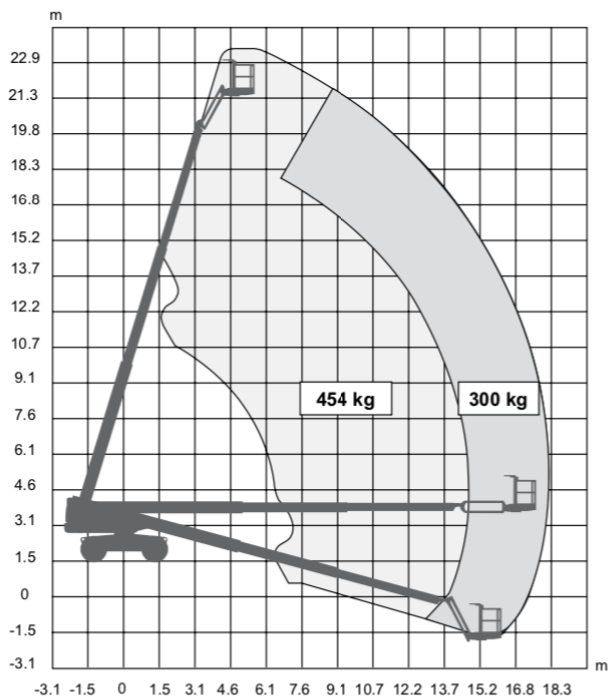
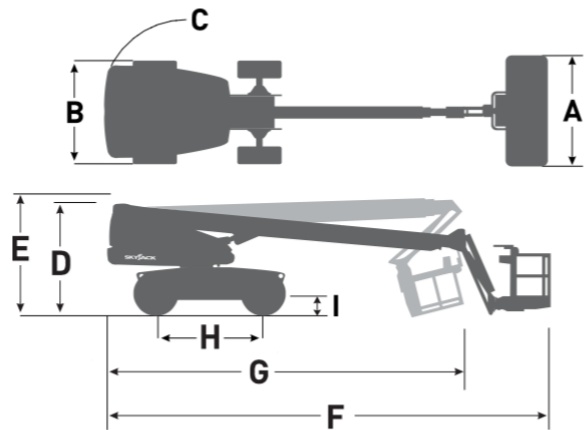
† Standard lead times may be increased when optional equipment is added, consult factory.
‡ Capacities and machine weights may differ when options are added.

AS/NZ 01/2020

SKYJACK
simply reliable

SJ66 T+ TELESCOPIC BOOMS

Dimensions	SJ66 T+
Work Height	22.19 m
Platform Height	20.19 m
Horizontal Reach	17.38 m
A Platform Size	0.91 x 2.44 m
B Stowed Width	2.44 m
C Tailswing	1.33 m
D Stowed Height	2.59 m
E Transportation Height	3.30 m
F Stowed Length	10.40 m
G Transportation Length	8.13 m
H Wheelbase	2.44 m
I Ground Clearance	0.41 m
Specifications	SJ66 T+
Rotation	360° Continuous
Platform Rotation	170°
Jib Length	1.52 m
Jib Range +/-	+65° / -60°
Weight	12,585 kg
Gradeability	50%
Turning Radius (Inside)	1.93 m
Turning Radius (Outside)	5.05 m
Axle Oscillation	8.89 cm
Drive Speed (High speed)	7.2 km/h
Capacity	300 / 454 kg
Local Floor Load (With Rated Load)	17.44 kg/sq cm
Overall Floor Load (With Rated Load)	1,558 kg/sq m
Maximum Wind Rating	12.5 m/s
Personnel Rating at Max Wind Rating	2 / 3
Tyre Type	Foam-Filled, NM
Tyre Size	385/65D19.5
Diesel Engine	Deutz D2011L04i - 65 HP (48 KW)
Fuel Tank Capacity	170 L
Hydraulic Reservoir	227 L



SJ66 T+ WORKING ENVELOPE