

SJ60 AJ+ ARTICULATING BOOMS



STANDARD FEATURES

- EASYDRIVE™ Direction sensing drive and steer controls
- SPEEDYREACH™ Negative boom angle capability
- SKYRISER™ True vertical rise
- AXLDRIVE™ Axle-based 4WD system
- ELEVATE Live
- Operator controlled locking rear differential and limited slip front differential
- Oscillating steer axle
- Drivable at full height
- 40% Gradeability
- Wet disc SAHR brakes (Front and rear axle)
- Grip lug foam filled non-marking tyres
- Dual module control system with SKYCODED™ colour coded and numbered wiring
- SMARTORQUE™ Kubota D1305 diesel engine
- ECOSTART (idle-eliminating)
- Swing up cowlings for easy access
- Proportional controls
- 300kg / 454kg Dual capacity
- 0.91 x 2.44 m Platform
- Bolt-in platform railings
- Lanyard attachment points
- Tri-entry sliding mid rails
- Secondary Guarding Electrical (SGE)
- Overload sensing system
- Wiring for AC outlet on platform
- Tilt alarm (5.0° x 5.0°) with drive and lift cut-out
- Single point emergency lowering
- 360° Continuous turret rotation
- Tie down/lifting lugs
- Hourmeter
- Operator horn
- Lockable power disconnect switch
- 7.5 kW Generator (Includes hydraulic oil cooler)
- All motion alarm
- Flashing Light

ACCESSORIES

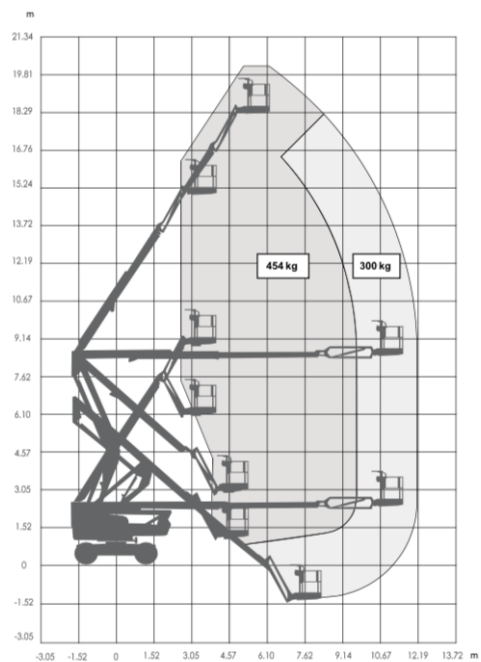
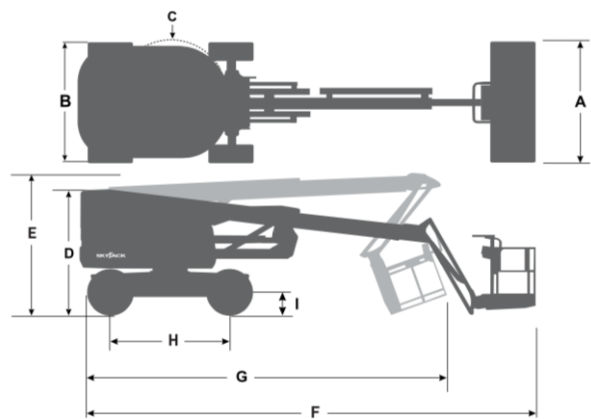
- Glazier kit
- Pipe rack
- Tool caddy

OPTIONS

- 0.91 x 1.83 m Platform
- Rear spring hinged entry gate
- Auxiliary top rail (0.91 x 2.44 m platform only)
- Half-height mesh platform (either size)
- Control box cover
- Diesel scrubber
- Bio oil
- ELEVATE telematics

SJ60 AJ+ ARTICULATING BOOMS

Dimensions	SJ60 AJ+
Work Height	20.29 m
Platform Height	18.29 m
Horizontal Reach	11.56 m
Up and Over Height	8.31 m
A Platform Size	0.91 x 2.44 m
B Stowed Width	2.44 m
C Tailswing	0.61 m
D Stowed Height	2.54 m
E Transportation Height	2.79 m
F Stowed Length	8.59 m
G Transportation Length	6.60 m
H Wheelbase	2.44 m
I Ground Clearance	0.33 m
Specifications	SJ60 AJ+
Rotation	360° Continuous
Platform Rotation	170°
Jib Length	1.52 m
Jib Range +/-	+65° / -60°
Weight	8,557 kg
Gradeability	40%
Turning Radius (Inside)	2.21 m
Turning Radius (Outside)	5.31 m
Axle Oscillation	10.16 cm
Drive Speed (High speed)	4.0 km/h
Capacity	300 / 454 kg
Maximum Wind Speed	12.5 m/s
Personnel Rating at Max Wind Rating	2 / 3
Tyre Size	14 x 610
Tyre Type	Non-Marking Foam-Filled
Diesel Engine	Kubota D1305 18.5 KW (24.8 HP)
Fuel Tank Capacity	115L
Hydraulic Reservoir	115L



SJ60 AJ+ WORKING ENVELOPE