

niftylift

HR12LE



(A) 12.1m
39ft 6in



(B) 10.1m
33ft



(C) 6.4m
21ft



200kg
440lbs



1.2m x 0.85m
3ft 11in x 2ft 9in



(D) 1.98m
6ft 6in



(F) 1.79m
5ft 11in



(J) 3.97m
13ft



6km/h
3.7mph



3.63m
11ft 11in



25%
14°



2540kg / 2470kg*
5600lbs / 5445lbs*



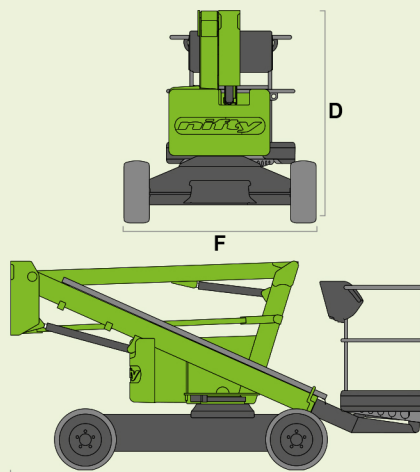
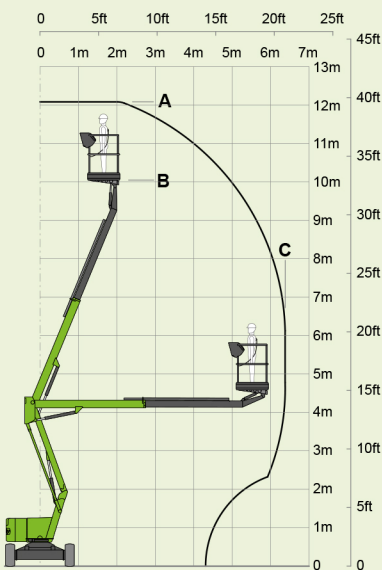
All-Electric



* Lithium Battery Option



Niftylink®



SiOPS® All-Electric
toughcage Niftylink®

EWP technical
solutions limited.

'FOR EVERYTHING EWP'



SALES - PARTS - SERVICE - TRAINING - CERTIFICATION

www.ewptechnical.co.nz

0800 EWP FIX

sales@ewptechnical.co.nz